

45° collar saddles

SSCVL-45/SSCV-45



Description

Collar saddles are provided with a T-piece end leaning at 45° to the main ventilation duct. The piece can be installed on any part of a finished ventilation duct or shaft. The installation requires cutting an opening in the duct, in which the piece is fastened with rivets or screws, and sealing the joint with a silicone or acrylic compound. Collar saddles are available at any T-piece end angle from 30° to 80° for an non-turbulent, smooth air flow.

SSCVL-45 – 45° collar saddle with an EPDM gasket, air tightness class D acc. to EN 12237

SSCV-45 – 45° collar saddle without a gasket

Available materials - Product code example

- SSCVL-45-... -... - galvanized steel sheet
- SSCVL-45-K... -... - 1.4301/304 stainless steel sheet
- SSCVL-45-K... -...-316L - 1.4404/316L stainless steel sheet, molybdenum-enriched
- SSCVL-45-A-... -... - AW-1050A H24 aluminium sheet
- SSCVL-45-CU-... -... - M1E z4 copper sheet

Product code example

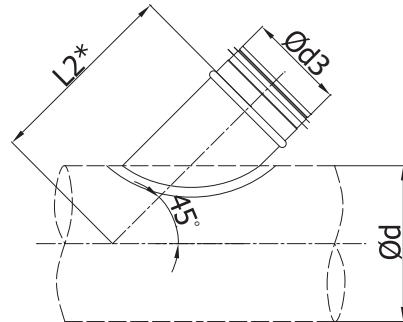
Product code: **SSCVL/SSCV-45 - aaa - bbb**

type _____

Ød _____

Ød₃ _____

Dimensions



Ød _{3 nom} [mm]	Weight [kg]
80	0.2
100	0.3
125	0.5
140	0.5
150	0.6
160	0.7
180	0.8
200	1.1
224	1.3
250	1.6
280	2.0
300	2.3
315	2.6
355	3.0
400	3.5
450	4.8
500	5.5
560	6.2
600	6.9
630	9.7
710	11.6
800	13.4
900	15.5
1000	17.6
1120	20.3
1250	24.0

*Dimension L₂ for the TSVL as shown in Table on pp. 114-116